

The
United
States
of
America



**The Director of the United States
Patent and Trademark Office**

Has received an application for a patent for a new and useful invention. The title and description of the invention are enclosed. The requirements of law have been complied with, and it has been determined that a patent on the invention shall be granted under the law.

Therefore, this

United States Patent

Grants to the person(s) having title to this patent the right to exclude others from making, using, offering for sale, or selling the invention throughout the United States of America or importing the invention into the United States of America, and if the invention is a process, of the right to exclude others from using, offering for sale or selling throughout the United States of America, or importing into the United States of America, products made by that process, for the term set forth in 35 U.S.C. 154(a)(2) or (c)(1), subject to the payment of maintenance fees as provided by 35 U.S.C. 41(b). See the Maintenance Fee Notice on the inside of the cover.

Leea Staret Lee

Acting Director of the United States Patent and Trademark Office



US00D688350S

(12) **United States Design Patent**
Oren et al.

(10) **Patent No.:** **US D688,350 S**
(45) **Date of Patent:** **** Aug. 20, 2013**

(54) **PROPPANT VESSEL**

(71) Applicants: **John Oren**, Houston, TX (US); **Joshua Oren**, Houston, TX (US)

(72) Inventors: **John Oren**, Houston, TX (US); **Joshua Oren**, Houston, TX (US)

(**) Term: **14 Years**

(21) Appl. No.: **29/436,169**

(22) Filed: **Nov. 2, 2012**

(51) **LOC (9) Cl.** **23-01**

(52) **U.S. Cl.**
USPC **D23/202**

(58) **Field of Classification Search**
USPC D23/202-206; 222/185.1; 206/386;
414/813; 220/581
See application file for complete search history.

(56) **References Cited**

U.S. PATENT DOCUMENTS

D216,511 S * 1/1970 Coleman D23/202
5,704,477 A * 1/1998 Hermann et al. 206/386

7,036,662 B2 * 5/2006 Schutz 206/386
7,878,327 B2 * 2/2011 Cassina 206/386
7,897,223 B2 * 3/2011 Schubbach et al. 428/35.7
7,958,995 B2 * 6/2011 Dedmon et al. 206/386

* cited by examiner

Primary Examiner — Robin V Webster

(74) *Attorney, Agent, or Firm* — Egbert Law Offices, PLLC

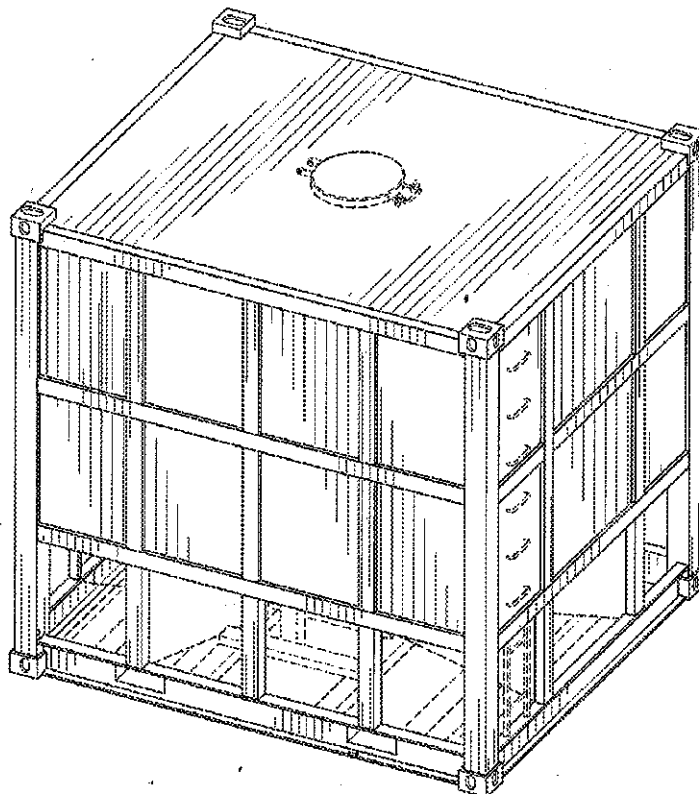
(57) **CLAIM**

The ornamental design for a proppant vessel, as shown and described.

DESCRIPTION

FIG. 1 is an upper perspective view of the proppant vessel showing our design.
FIG. 2 is a front elevation view thereof;
FIG. 3 is a rear elevation view thereof;
FIG. 4 is a side elevation view thereof;
FIG. 5 is an opposite side elevation view thereof;
FIG. 6 is a top plan view thereof; and,
FIG. 7 is a bottom plan view thereof.
The features presented in broken lines are for environmental purposes only and form no part of the claimed design.

1 Claim, 2 Drawing Sheets



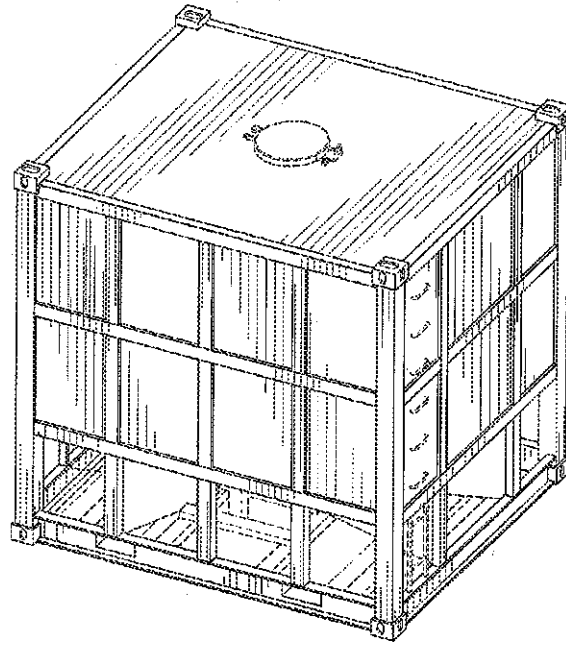


FIG. 1

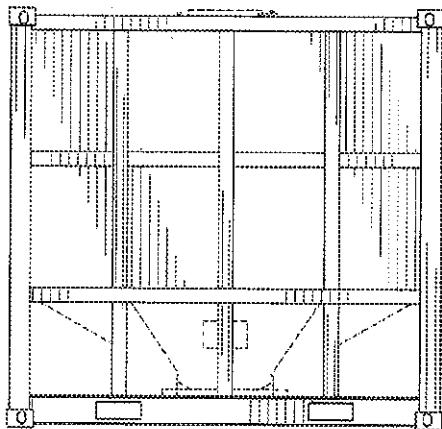


FIG. 2

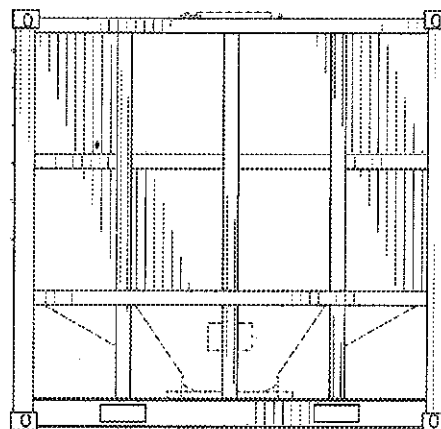


FIG. 3

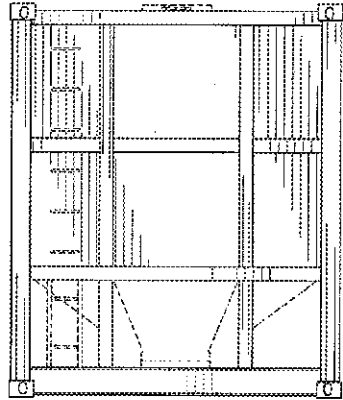


FIG. 4

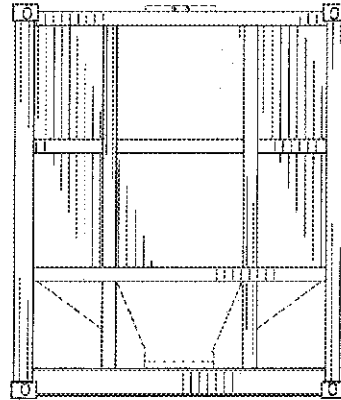


FIG. 5

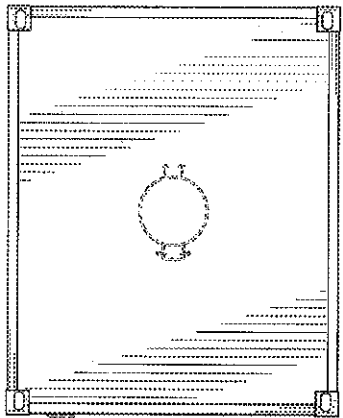


FIG. 6

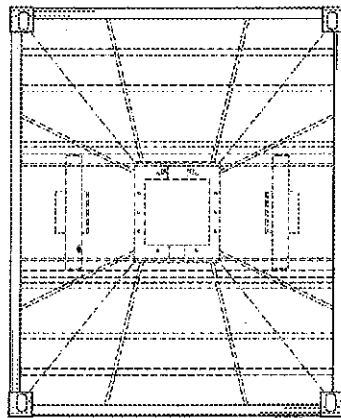


FIG. 7